

### Features:

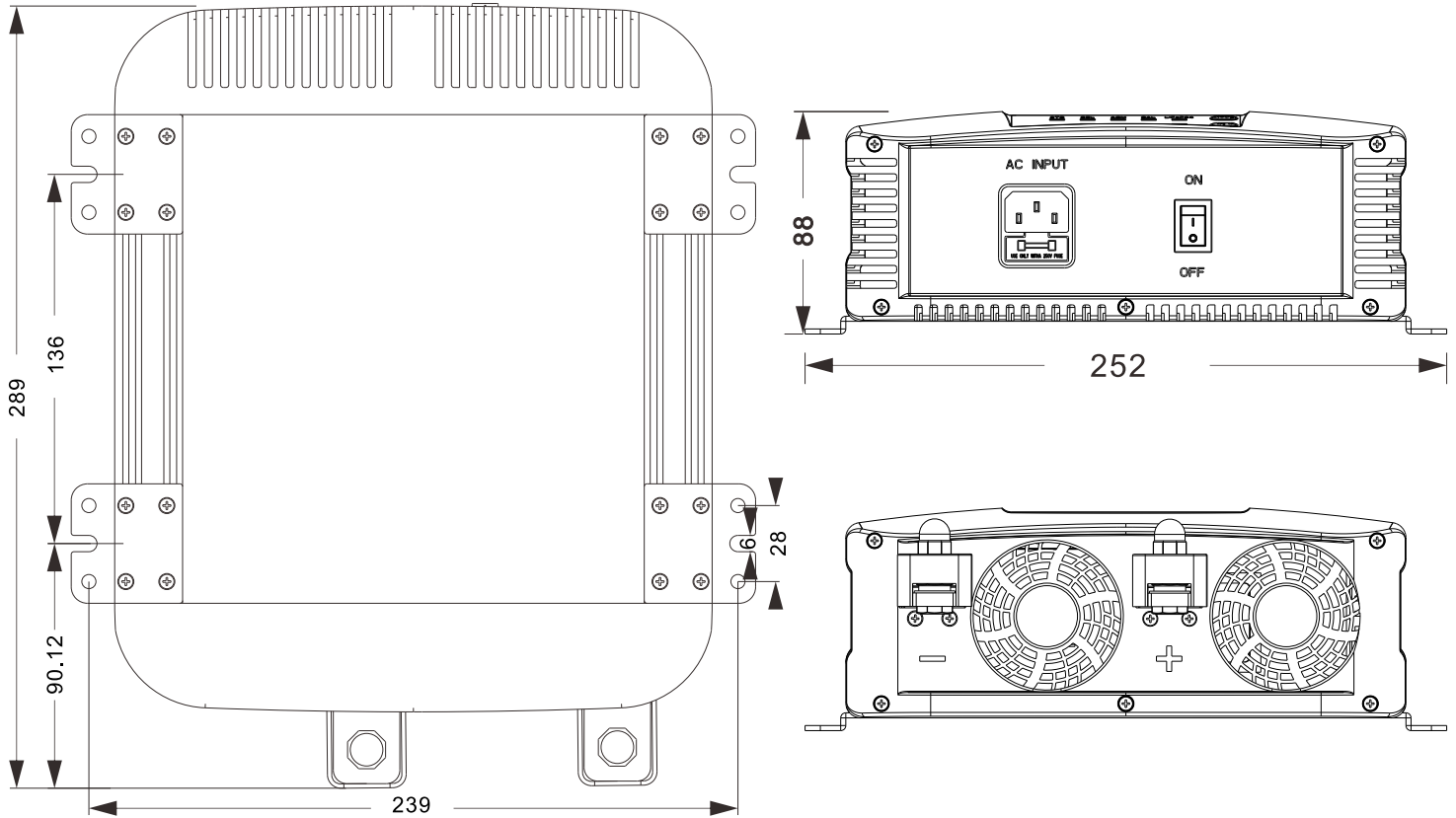
- Universal Ac input 90-140V/180V-260V
- Compatible with Lead Acid, Li-ion, Gel and AGM batteries
- High efficiency and high reliability
- Battery type choose
- Protection: Over Voltage /Over Temperature / Over Current
- E13/CE/RoHs approved



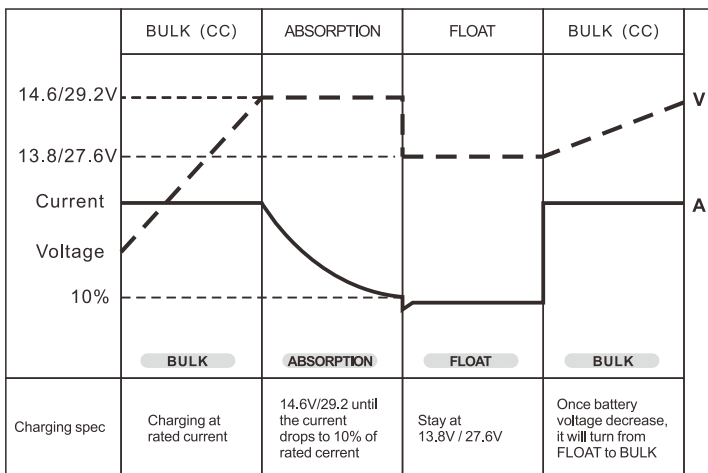
MODEL		HK1260B-110	HK1260B-220
Output	Battery Type	STD/GEL/AGM/CAL/LifePO4	
	Standard Boost Charge Voltage	14.6V+/-0.2V	
	Standard Float Charge Voltage	13.8V+/-0.2V	
	Main Rated Current	60A	60A
	Main Output	0-60A	0-60A
	Battery Charging Mode	3 - stage charging capability (IUOU)	
Input	Voltage Range	90-130VAC (refer to de-rating curve)	180-260V
	Frequency Range	47-63Hz	47-63Hz
	Efficiency (Typ.) at 230VAC	85%	85%
	AC Current (Typ.)	9.36A	4.68A
Protection	Battery Reverse	yes	
	Over Voltage	yes	
	Over Temperature	Battery Over Temperature 75°C	
Function	LED Signal	Show the battery type and working status	
	Charging Mode	By Touch switch to choose difference battery type	
Environment	Working Temp.	0~60°C (refer to de-rating curve)	
	Working Humidity	20~90%RH non-condensing	
	Storage Temp., Humidity	0~+85°C, 20-90% RH	
Safety & EMC	Safety Standards	LVD Directive 2014/35/EU	
	E-mark	EN 61000-3-3:2013+A1:2019+A2:2021	
	ROHs	RoHS Directive (EU)2015/863 amending Annex II to Directive 2011/65/EU	
	EMC Standards	EN IEC 55014-1:2021	
		EN IEC 55014-2:2021 EN IEC 6100-3-2:2019/A1:2021; EN 61000-3-3:2013/A2:2021;	
Others	Dimension (W×H×D)	289×252×88mm	
	Packing	Per Carton 2 pcs/9.7kg	
Note	1. All parameters not specially mentioned are measured at 230VAC input, rated load and 25°C of ambient temperature. 2. The charger is considered a component which will be installed into final equipment. 3. Before charging, make sure the battery charger and the battery specifications are compatible.		

### Mechanical Drawings:(289×252×88mm)

MODEL:HK1260B



### Charging Curve



### Charging Setting

12V Charger Setting		
Battery Type	Bulk/Absorption	Float
LiFePO4	14.6V	
AGM	14.8V	13.8V
Calcium	15.0V	13.8V
STD	14.4V	13.4V
GEL	14.2V	13.2V